

1. Figure 1 shows the layout of control gear equipment and two final sub-circuits. The control gear is pre-installed.
 - (a) Complete the wiring of control gear in accordance with Kenya Power and Lighting company by-laws.
 - (b) Using P.V.C sheathed wiring system, install the circuit. Such that the two lamps are controlled by one way switch and socket outlets are wired in radial.

(25 marks)

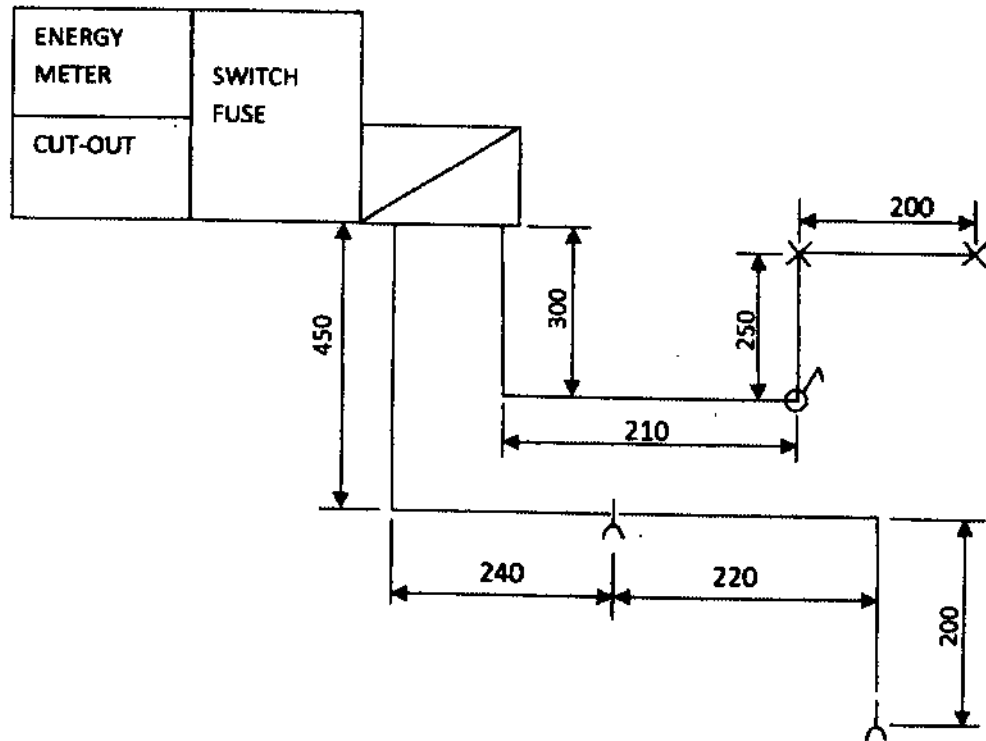


FIG 1

2. Figure 2 shows the layout of a solar installation comprising of one final circuit.

- (a) Complete the wiring of the solar control gear.
- (b) Using PVC sheath wiring system, install the circuit such that the lamp is controlled by a one way switch.

(25 marks)

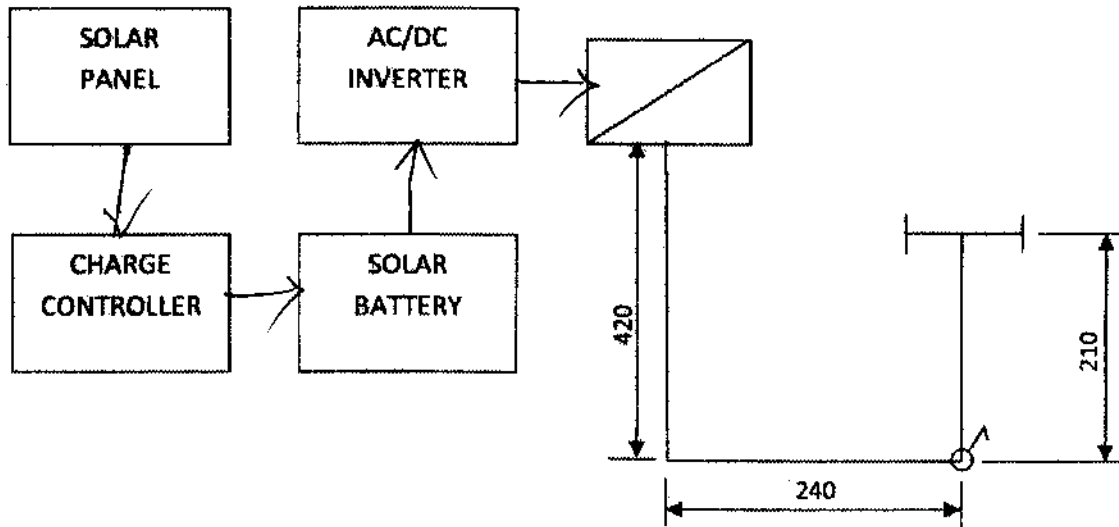


FIG 2

3. Figure 3 shows a single stage transistor amplifier circuit.

- (a) Mount the circuit on the 50 mm x 60 mm strip board.
- (b) Power the circuit and perform voltage tests at test point TP1 - TP5.

(25 marks)

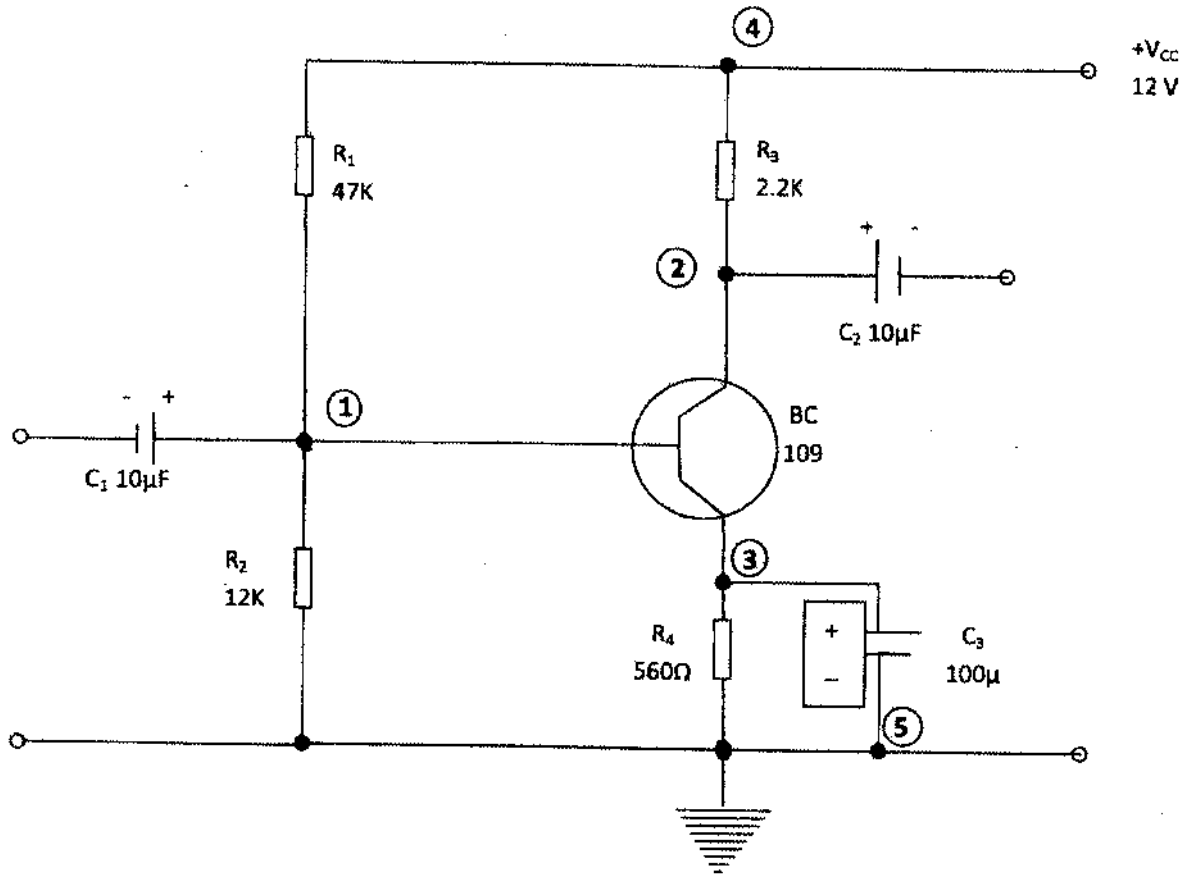
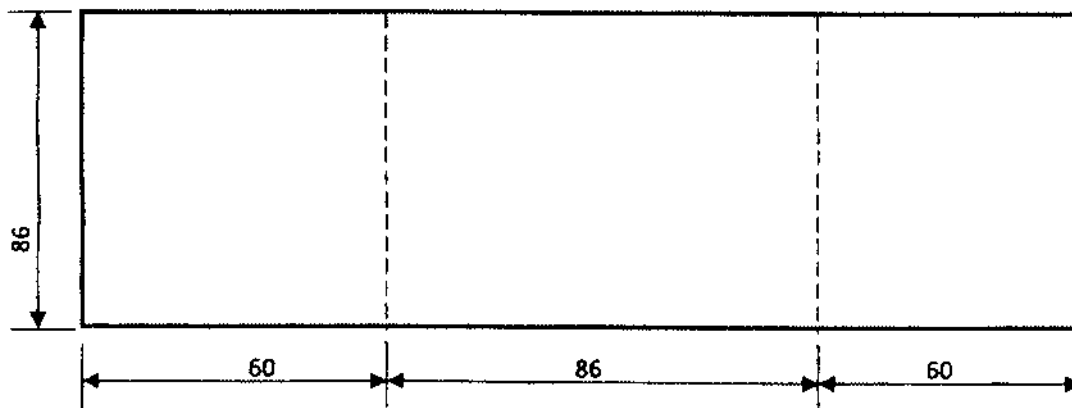
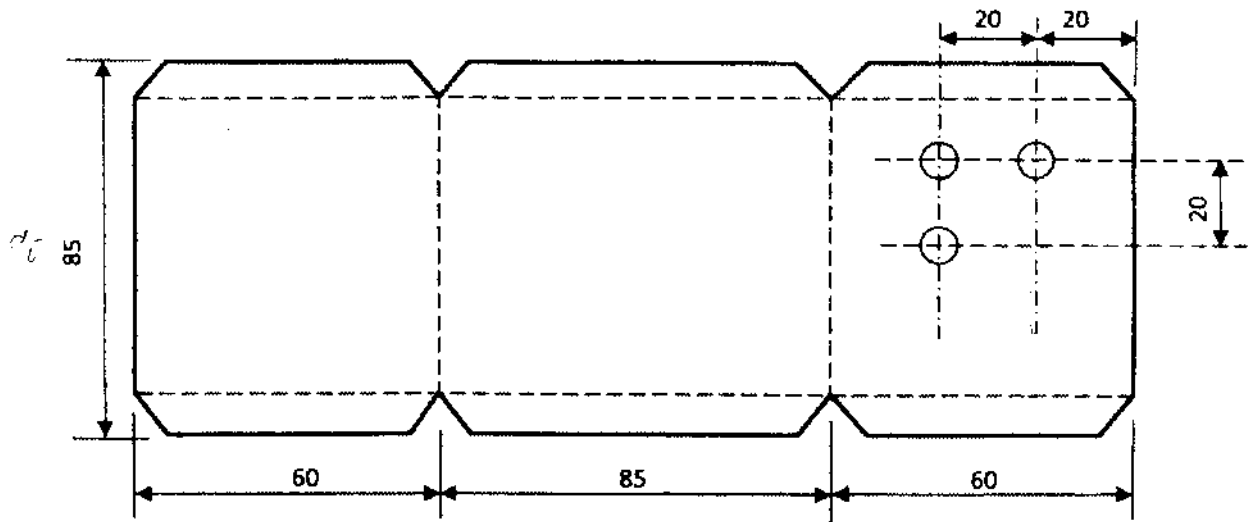


FIG 3

4. Figure 4 shows views of an amplifier circuit casing. Use the tools, equipment and materials provided to make the amplifier circuit casing shown in figure 3. (25 marks)



COVER

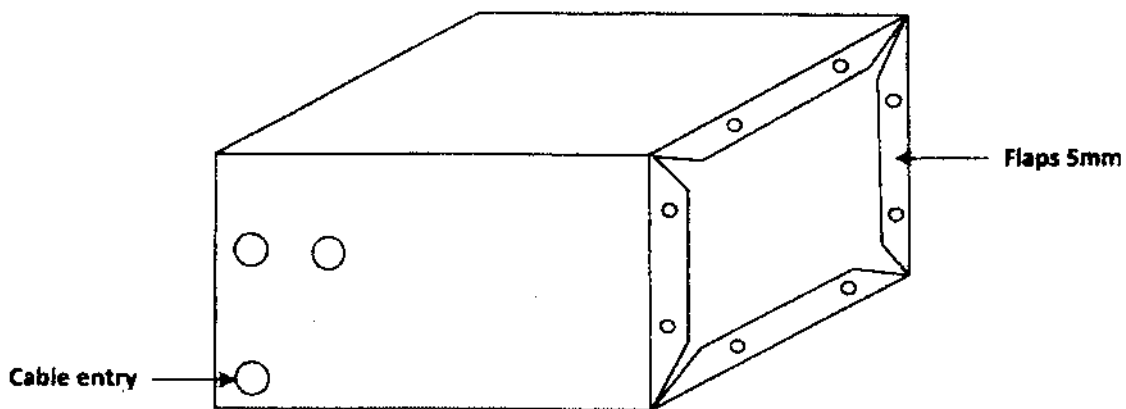


FIG 4