

2521/203, 2602/202  
2601/202, 2603/202  
DIGITAL AND ANALOGUE  
ELECTRONICS II  
June/July 2019  
Time: 3 hours



THE KENYA NATIONAL EXAMINATIONS COUNCIL

DIPLOMA IN ELECTRICAL AND ELECTRONIC ENGINEERING  
(POWER OPTION)  
(TELECOMMUNICATION OPTION)  
(INSTRUMENTATION OPTION)  
MODULE II

DIGITAL AND ANALOGUE ELECTRONICS II

3 hours

**INSTRUCTIONS TO CANDIDATES**

*You should have the following for this examination:*

*Answer booklet;*

*Mathematical table/Non-programmable scientific calculator.*

*The paper consists of EIGHT questions in TWO sections; A and B.*

*Answer any TWO questions from section A and any THREE questions from section B in the answer booklet provided.*

*All questions carry equal marks.*

*Maximum marks for each part of a question are as indicated.*

*Candidates should answer the questions in English.*

**This paper consists of 7 printed pages.**

**Candidates should check the question paper to ascertain that all the pages are printed as indicated and that no questions are missing.**

## SECTION A: ANALOGUE ELECTRONICS II

Answer *TWO* questions from this section.

1. (a) With the aid of a diagram, explain the operation of a solid-state LASER. (6 marks)
- (b) Figure 1 shows a circuit diagram of a d.c over-voltage indicator using a unijunction transistor (UJT). Explain the operation of the circuit. (4 marks)

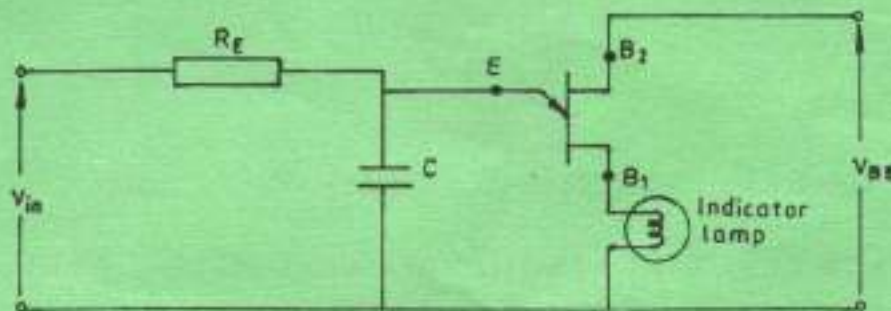


Fig. 1

- (c) Figure 2 shows a circuit diagram of a transistor amplifier in common emitter configuration. The h-parameters of the transistor are:  
 $h_{ie} = 1500 \Omega$ ,  $h_{fe} = 50$ ;  $h_{re} = 4 \times 10^{-4}$ ;  $h_{oe} = 5 \times 10^{-5} \text{ S}$

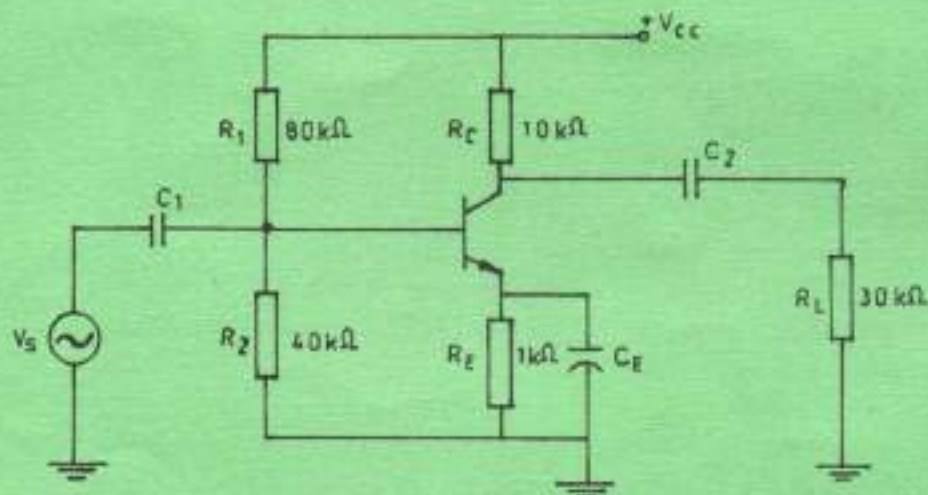


Fig. 2

Determine the:

- a.c load resistance,  $r_L$ ;
- a.c input impedance of the circuit;
- voltage gain;
- output impedance of the circuit.

(10 marks)

- 2 (a) (i) State **three** characteristics of an ideal operational amplifier.
- (ii) Figure 3 shows an op-amp based circuit diagram. The slew rate of the op-Amp is  $0.5 \text{ v}/\mu\text{S}$ . Determine the:
- (I) closed loop voltage gain;
  - (II) peak output voltage;
  - (III) maximum operating frequency.

(9 marks)

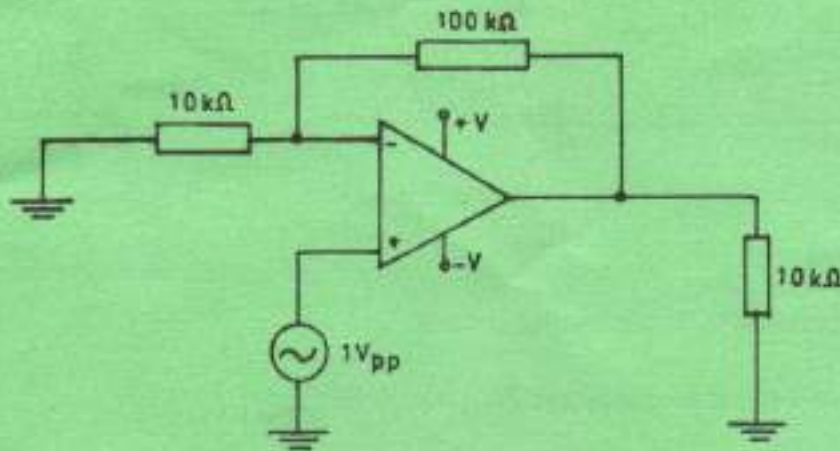


Fig 3

- (b) A colpits oscillator has a tank circuit consisting of two capacitors  $C_1 = 0.001 \mu\text{F}$ ,  $C_2 = 0.1 \mu\text{F}$  and an inductor  $L = 15 \mu\text{H}$ .

Determine the:

- (i) effective capacitance;
- (ii) operating frequency;
- (iii) feedback fraction.

(6 marks)

(c) Figure 4 shows a circuit diagram of a blocking oscillator. Explain its operation.

(5 marks)

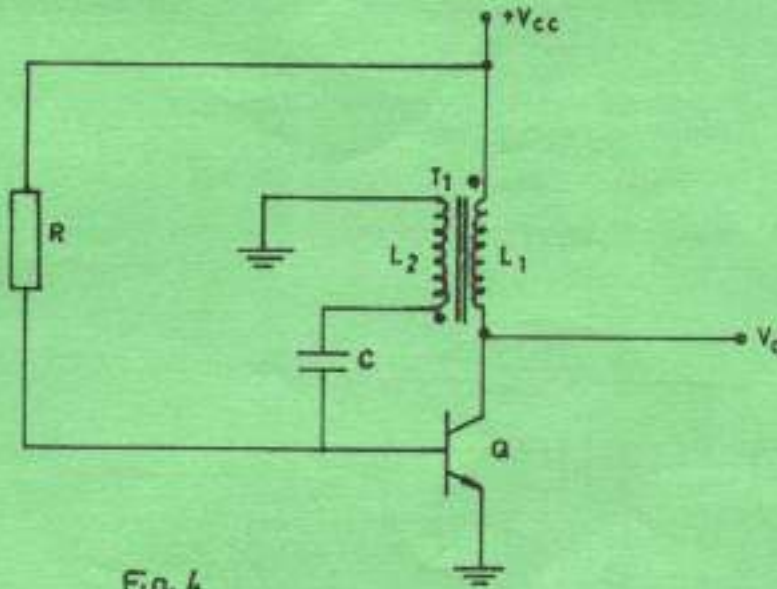


Fig. 4

3.

(a) State **three** applications of integrating circuits.

(3 marks)

(b) Figure 5 shows a tuned amplifier circuit. Determine:

- (i) the resonant frequency;
- (ii) the Q of the tank circuit;
- (iii) bandwidth of the amplifier.

(8 marks)

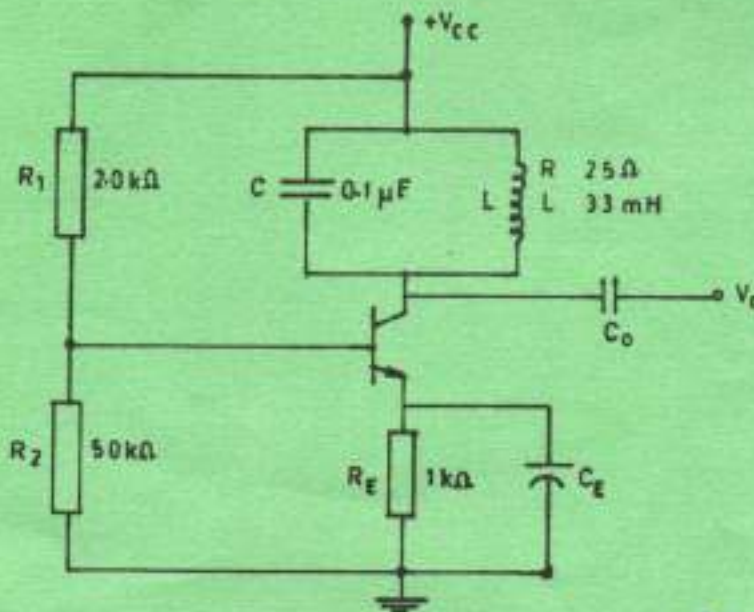


Fig. 5

Handwritten notes on the right side of the page:

- CD CB CB
- AB
- AB
- AB
- AB

- (c) (i) State **three** merits of negative feedback.
- (ii) An amplifier has an open loop gain of  $A = 100$ , input resistance,  $R_i = 100 \Omega$ , output resistance  $R_o = 1000 \Omega$ . The amplifier is connected with negative feedback in shunt-series topology. The feedback factor  $\beta = 0.1$ . Determine:
- (I) closed loop gain;
  - (II) input resistance with feedback;
  - (III) output resistance with feedback.

(9 marks)

### SECTION B: DIGITAL ELECTRONICS

Answer **THREE** questions from this section.

4. (a) Perform the following number conversions:

- (i)  $25.5_{10}$  to binary;
- (ii)  $2220_{10}$  to hexadecimal;
- (iii)  $9B2.1A_{16}$  to decimal;
- (iv)  $262_{10}$  to octal.

(9 marks)

- (b) Perform the following operations:

- (i)  $101101_2 \div 101_2$ ;
- (ii)  $11001_2 + (-10110_2)$  using 1's complement;
- (iii)  $65_{10} + 58_{10}$  in BCD.

(11 marks)

5. (a) Draw the truth table of a 2-input X-NOR gate.

(2 marks)

- (b) A boolean expression is given by:

$$F = \overline{A}BC + ABC + B\overline{C}D$$

- (i) Obtain a truth table for the expression;
- (ii) Simplify the expression using a Karnaugh map;
- (iii) Realize the function using NAND gates only

(12 marks)

(c) Figure 6 shows a logic circuit diagram.

- (i) Derive the expression for the output Z;
- (ii) Using the De Morgan's theorem, obtain a simplified expression for the output Z. (6 marks)

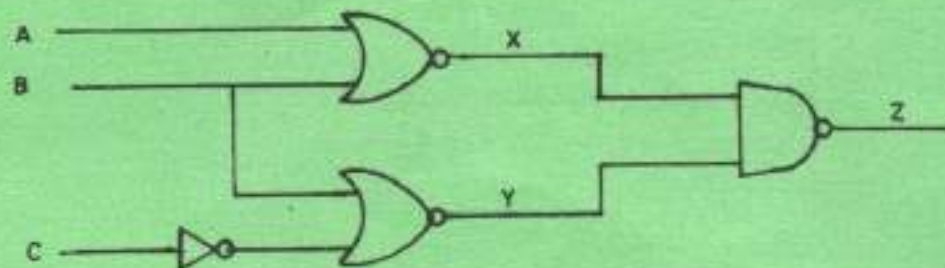


Fig. 6

6. (a) (i) State **three** areas of application of digital to analogue converters (ADCs). (7 marks)
  - (ii) A 5-bit successive approximation analogue to digital converter uses a 2 MHz clock and 8V reference. Determine:
    - (I) conversion time;
    - (II) resolution in volts. (4 marks)
  - (b) Contrast between serial- and parallel- adders. (4 marks)
  - (c) (i) Draw the truth table of a 4:1 multiplexer. (9 marks)
  - (ii) Obtain the boolean expression for the multiplexer in c(i).
  - (iii) Implement the expression in c(ii) using logic gates. (9 marks)
7. (a) With the aid of a diagram, explain the operation of a 4-bit binary parallel-in parallel-out (PIPO) shift register using D-type flip flops. (7 marks)
- (b) (i) State **two** limitations of ripple counter. (8 marks)
  - (ii) Draw a logic circuit diagram of a mod-8 ripple counter using JK flip flops and describe its operation. (8 marks)
- (c) (i) Define each of the following with respect to logic families:
    - (I) Fan-out;
    - (II) Noise margin.

- (ii) State **three** precautions to be observed when using TTL devices in digital circuits.

(5 marks)

8. (a) Define each of the following with respect to memories:

- (i) volatile;  
(ii) access time.

(2 marks)

- (b) Figure 7 shows a microcomputer memory map.

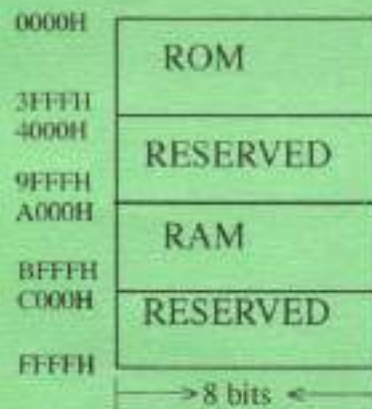
- (i) Determine the amount of memory in kilobytes dedicated to:

- (I) RAM;  
(II) ROM.

- (ii) Determine the number of address lines required to address:

- (I) RAM;  
(II) ROM.

(8 marks)



- (c) With the aid of a diagram, describe the operation of a dynamic RAM (D-RAM) MOS cell.

(6 marks)

- (d) State **two**:

- (i) merits of dynamic-RAM (D-RAM);  
(ii) demerits of static RAM (S-RAM).

(4 marks)

**THIS IS THE LAST PRINTED PAGE.**